

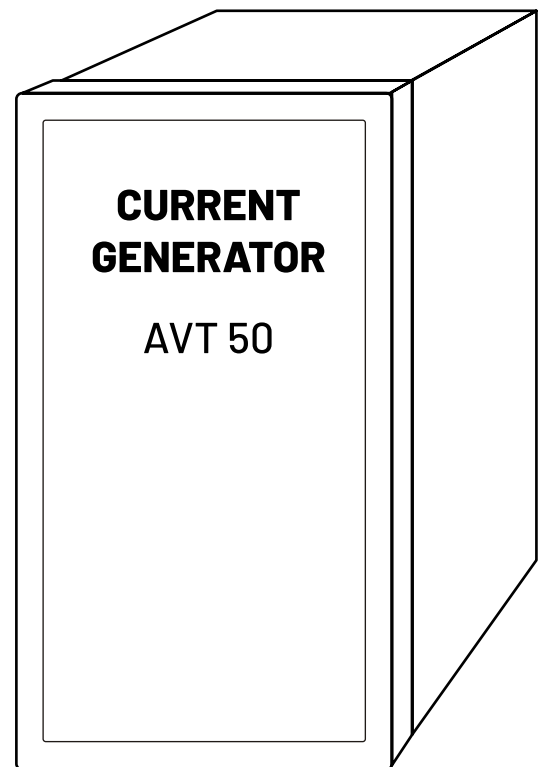
AVT 50

TARGET EXHAUST SUMMATION UNIT

AVT 50 is intended to indicate max. 5 connection of target exhaust or other standard air volume exhaust to the input message of FHS units. Connecting each target exhaust increases the desired supply air flow to the space.

AVT 50 contains 5 programmable current generators that can be activated on and off with an external switch.

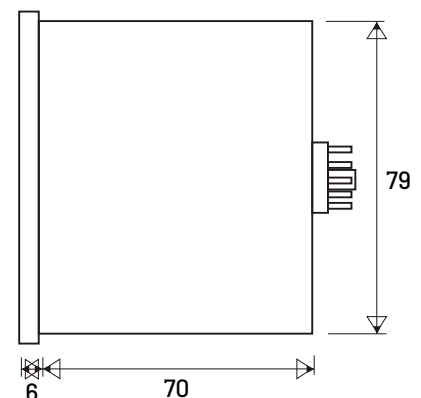
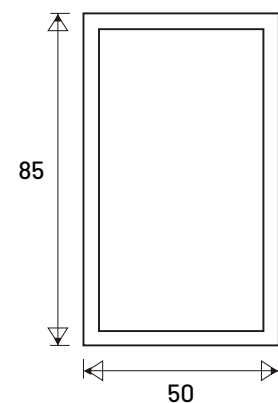
Each current generator can be set from 0-1000 m³/h. The outgoing message can be max. 0-20 mA (0-4000 m³/h).



TECHNICAL INFORMATION

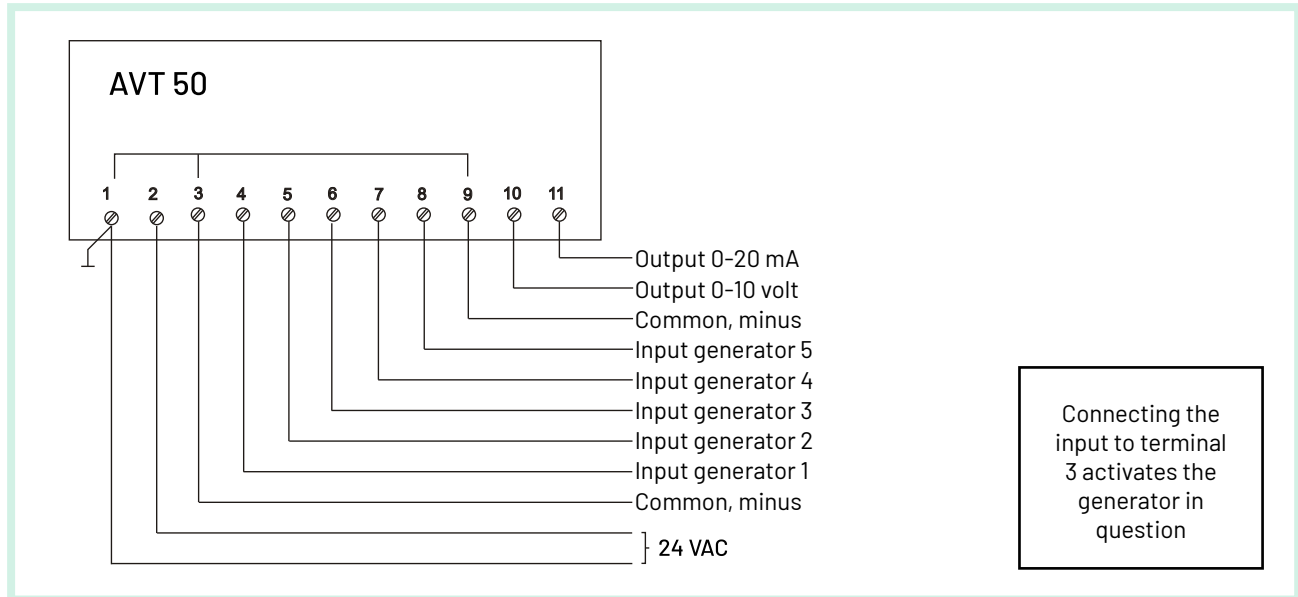
Operating voltage	24 VAC 15%, 50-60 Hz
Power consumption	1 VA
Income	5 pcs (with external switch)
Power generators	5 pcs (adjustable 0-1000 m ³ /h)
Output	0-20 mA and 0-10 volts
Encapsulation	Plastic, IP 20
	11-pin relay connector

DIMENSIONS (mm)



Opening in panel installation: 45 x 80 mm

CIRCUIT DIAGRAM



INSTALLATION

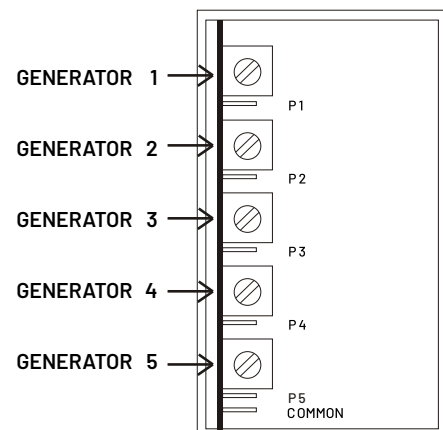
Remove the front panel from the frame by pulling the frame away from the case.

Adjust each power generator you want separately to match the exhaust air volume of the target exhaust connected to it.

Measure the voltage between the "COMMON" terminal and the corresponding generator terminal. 0 - 10 V DC = 0 - 1000 m/h.

If the target exhaust air volume is more than 1000 m/h, several generators can be connected in series.

The maximum air volume that AVT 50 can use as output is 4000 m/h (20 mA).



INSTALLATION EXAMPLE

In the example, the summation unit AVT 50 gives the air volume message to either the calculation unit FHS 40/42 or FHS 120/122.

