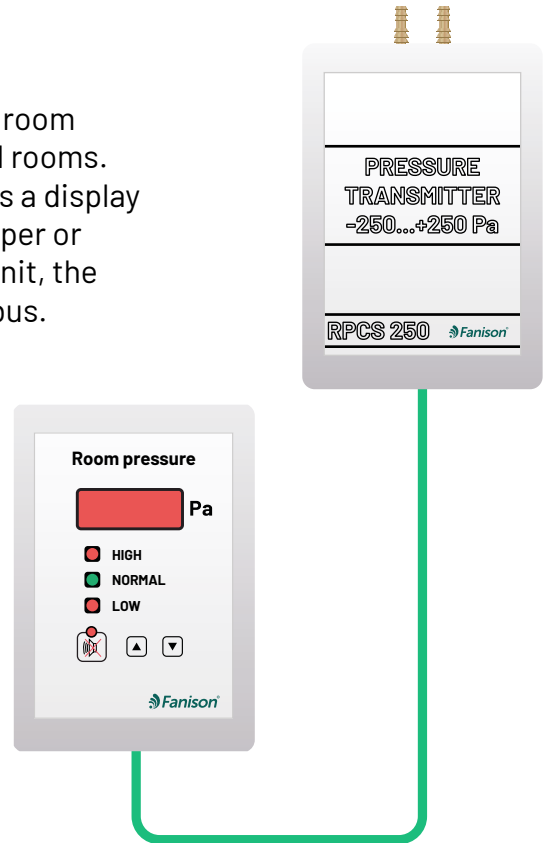


RP-CSI, RP-CS, RP-CI

PRESSURE MONITOR / PRESSURE REGULATOR (WITH TWO SETTING VALUES)

Pressure monitor / regulator for monitoring and adjusting room pressure, e.g. in cleanrooms, laboratories and pressurized rooms. RP-CS is used with display unit RP-CI. RP-CSI also includes a display unit. The regulator can be used to control the control damper or the fan's frequency converter. With the optional Modbus unit, the pressure regulator can be connected to the Modbus RTU bus.

- Digital real-time room pressure display
- Display with indicator lights of the pressure in relation to the set limits
- Indication of an open door and duct pressure optimization
- The door opening information can be used to optimize the adjustment
- Alarm limits adjustable for low and high pressure
- Separately adjustable alarm delays for indicator light, sound signal and relay output
- Analog output message about room pressure



TECHNICAL INFORMATION

Operating voltage	24 VAC +/-15%, 50-60 Hz	
Power consumption	5 VA max (RP-CSI or RP-CS + RP-CI30/32)	
Ambient temperature	0 to 50 C	
Encapsulation	ABS, IP 44 110x75x37 mm, 84x84x10 mm (RP-CI32)	
Pressure range	- 100 Pa ...+ 300 Pa (Preset -50 Pa...+50 Pa)	
Measurement accuracy	+/- 1 Pa or 2% of the pressure display	
Adjustment precision	+/- 0.5Pa	
Input messages	Door switch (terminal 9 & 10)	A potential free closing or opening switch
	Key switch (terminal 6 & 8)	A potential free closing or opening switch
	Setting value 2 (terminal 6 & 8)	0 to 10 VDC (Remote control of pressure setting)
Output messages	Pressure display	0/4 to 20 mA or 0/2 to 10 VDC
	Pressure control	0/4 to 20 mA or 0/2 to 10 VDC
	Pressure and door alarm	Potential-free replacement relay 0.5 A/30 V (AC/DC) 2 pcs
Indications	Room pressure	LED display in Pascal units (RP-CSI, RP-CI30/32)
	Normal mode	Green light Indicates that the room pressure is within the set limits. A flashing green light indicates that the control damper/fan is not in its optimal operating range.
	Alarm mode	Red light Indicates that the room pressure is not within the set limits after a time delay
	Alarm sound	Indicates that the room pressure is not within the set limits after the set beep time delay

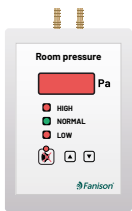
INSTALLATION

RP-x can be freely installed in different positions, however, in such a way that its tuning, use and maintenance is as easy as possible.

USE

RP-x is maintenance-free and does not normally require regular maintenance or cleaning. If the green light flashes, the pressure in the ductwork is not optimal. The decommissioned device is recycled according to separate instructions.

RP-CSI



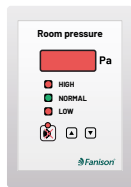
Pressure regulator and sensor with display

RP-CS



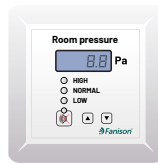
Pressure regulator and sensor

RP-CI30

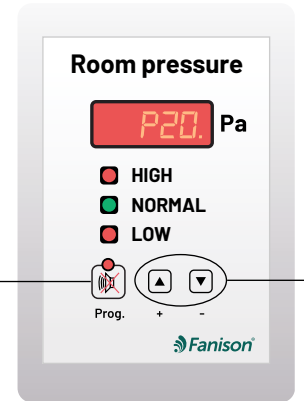


Pressure display surface mounting

RP-CI32



Pressure display in the dip box

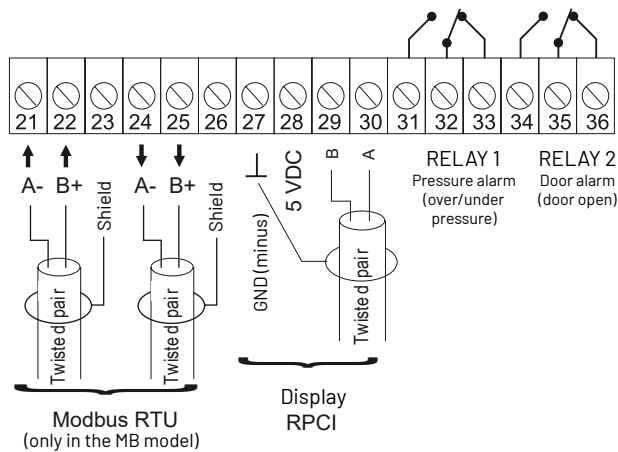


In normal mode, this key has two functions in addition to acknowledging the alarm tone. If the key is held down for 5 sec. the indicator light lights up to indicate that the sound signal for the next incoming alarm has already been acknowledged in advance. If the key is held down for 15 sec. the alarm tone is completely disabled. Both Additional Functions can be canceled by pressing the key again for 5 or 15 seconds.

In normal mode; if the + key is pressed, the display shows a voltage message from terminal 6, if the - key is pressed, the display shows a current message from terminal 7.

CIRCUIT DIAGRAM

The relay is drawn in a voltage-free state (alarm)



RPCS 250

Output message, terminals 12, 14 & 16

Programmable message for adjustment or external pressure display.

Door switch, terminals 9 & 10

Can be used if desired to optimize pressure control in the room. When the door is open, the adjustment and alarm function is interrupted and the text "door" is displayed. Alarm after a delay locally and optionally with relay 2 to transmit the alarm message.

Display RP-CI, connectors 27, 28, 29 & 30

One or max. 3 additional monitors, model RP-CI30/32, can be connected.

Programmable input message, terminals 6 & 8

- 0-10 VDC input signal for remote control of the setpoint
- Closing tip data to activate setpoint 2.
- Closing tip information to switch off the alarm sound
- Alarm input
- Door information
- 2-10 V input signal for reading the damper angle (adjustment damper).

